

**THE NEXT EVOLUTION OF THE WORLD'S FIRST
RETRACTOR WHEELCHAIR TIE-DOWN AND OCCUPANT RESTRAINT SYSTEM**

Quick-Secure

SERIE 2010



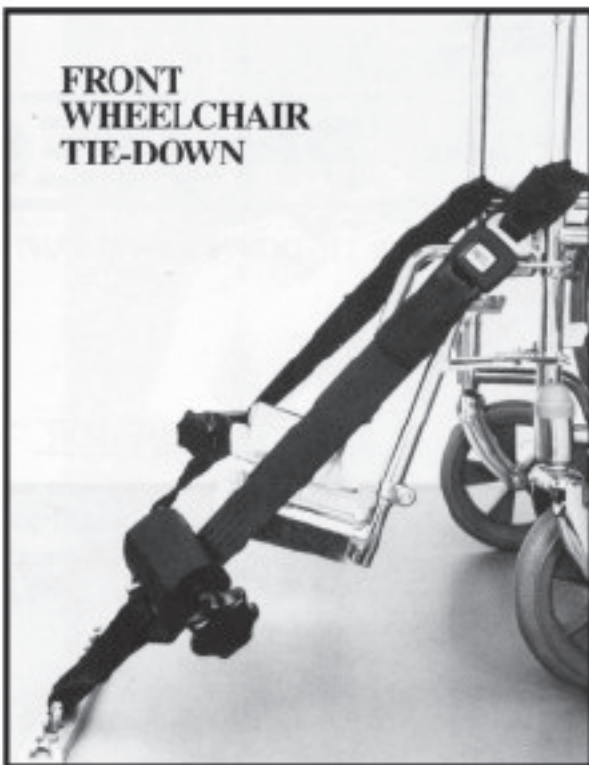
W08802

*The EVOLUTION of the
WORLD'S FIRST RETRACTOR WHEELCHAIR SECUREMENT SYSTEM*

Years ago, when Ortho Safe invented an entirely new **Wheelchair Securement and Occupant Protection System**, nobody predicted it would come to define not just the brand that invented the first Retractor Wheelchair securement, but set a Standard by which all others are now measured. For years now it protected thousands of Wheelchair users. It's what others dream they could be. For 2010, it all begins anew; with what is perhaps the most technologically advanced Wheelchair Securement System in the World. This is exactly what we have always done.

This is Quick-Secure

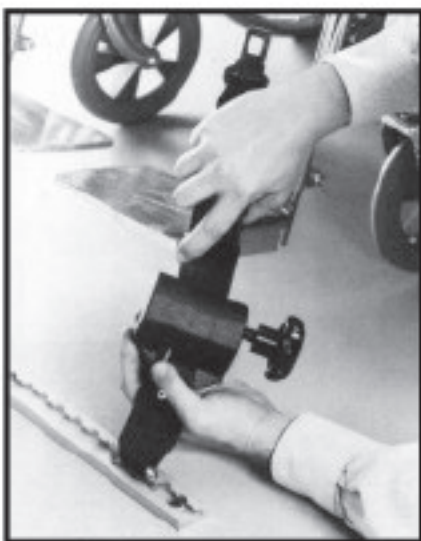
**FRONT
WHEELCHAIR
TIE-DOWN**



1986

THE BEGINNING

**REAR
WHEELCHAIR
TIE-DOWN**



What You Can't See Can Help Protect You.

Our engineers spent a lot of time rethinking about the unthinkable:

"What will be the effect of a severe collision"

That's why we have developed, from the INVENTION of the first wheelchair retractor securement system, an impressive array of restraint technologies to help protect you and your loved ones.



This is how much has gone in.



We don't stop to measure our success.
We continually surpass them.

ISO 10542 STANDARD



Kit: A-001
4 (ALR) Retractors with Lap Belt Pin Connector
Double-plunger Track Fitting
1 Lap Belt



Kit: B-001
4 (ALR) Retractors with Lap Belt Pin Connector
Quick-Connect Fitting
1 Lap Belt

WHEELCHAIR SECUREMENT SYSTEMS

TÜV-Rheinland
TESTED and CERTIFIED



DIN 75078-2



Kit: C-001
4 Retractors to DIN-Standard
Double-plunger Track Fitting
1 Lap Belt



Kit: D-001
4 Retractors to DIN-Standard
Quick-Connect Fitting
1 Lap Belt



Quick-Secure

WHEELCHAIR OCCUPANT SECUREMENT SYSTEMS



OSB: 001
(ELR) Automatic Shoulder Belt
for over window installation
with or without Track Fitting



OLB: 001
Lap Belt



OLB: 002
Lap Belt



TÜV-Rheinland
TESTED and CERTIFIED



OSB: 004
(ELR) Automatic Shoulder Belt



OSB: 005
(ELR) Automatic Shoulder Belt with an
integrated retractable Height-adjuster
allowing for proper placement of belt



QUICK-ADAPT

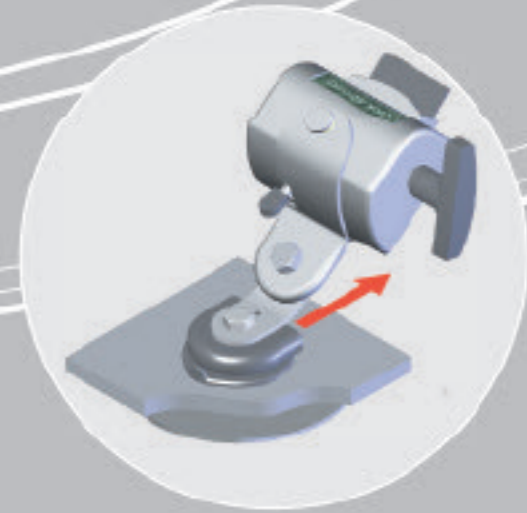
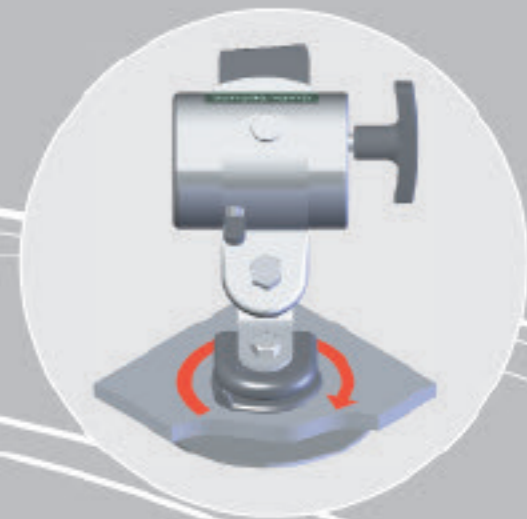
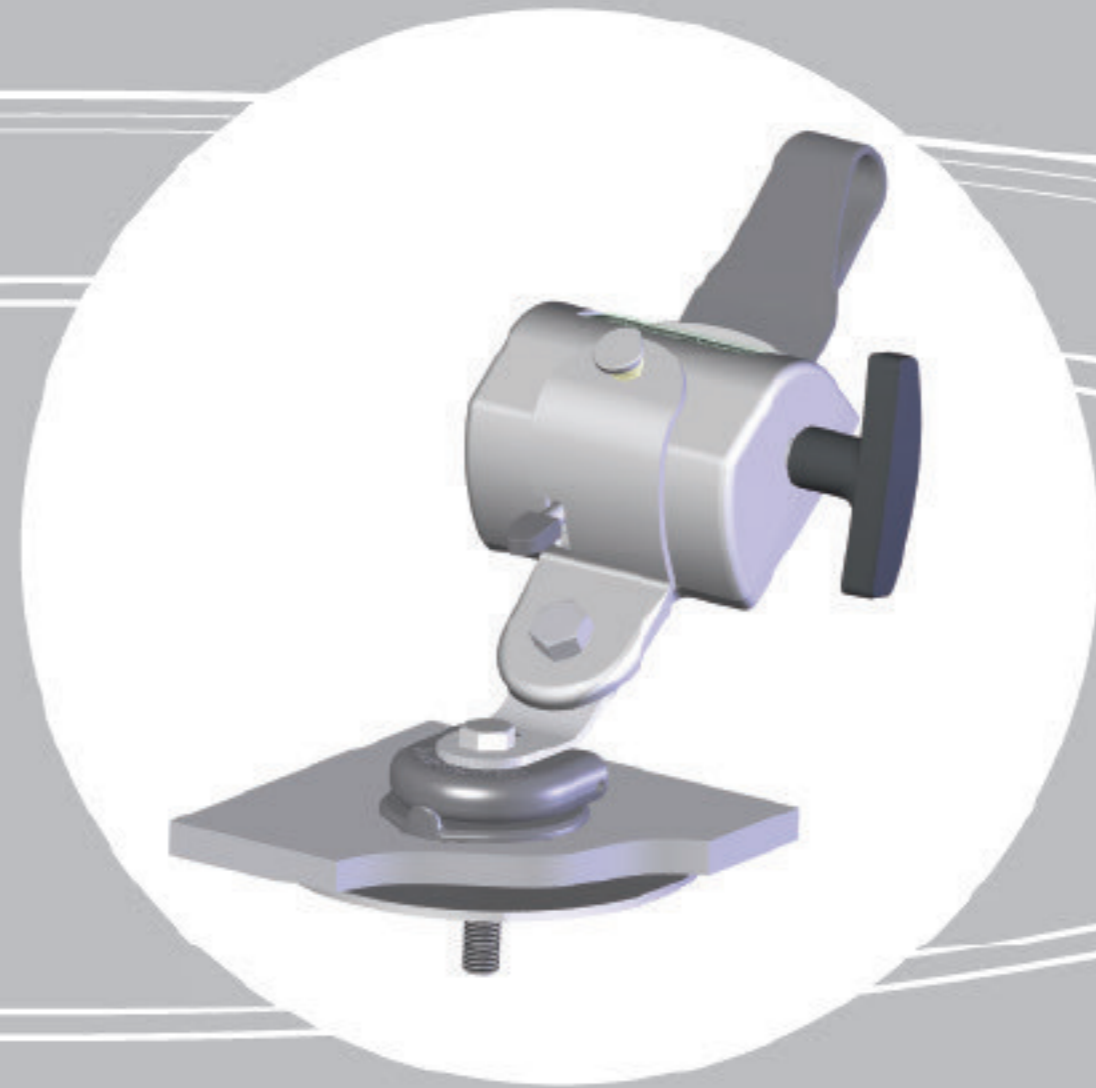
TÜV-Rheinland
TESTED and CERTIFIED





QUICK-CONNECT

TÜV-Rheinland
TESTED and CERTIFIED



Freedom of Mobility



global network

 **Quick-Secure**

至光工具股份有限公司
Jun Kaung Industries Co., Ltd.

台灣台中市大里區景庄街180巷20號
Factory: NO.20, LN. 180, JINGZHUANG ST., DALI DIST.,
TAICHUNG CITY 41263, TAIWAN
Tel:886-4-24962255 Fax:886-4-24969265
e-mail: jk@jktool.com.tw
www.autoaccessory.com.tw
www.jktool.com.tw

